

# Call Points

## **CP-31/34 Series**

### **Reliable, Flexible, Conventional**



### **CP-31/34 Series with Plastic Glass**



GEM CP-31/34 series call point is a conventional call point that offers double pole, triple pole, or quadruple pole changeover contacts with normally open and closed connections. It is supplied with a breakable plastic glass element that produces no glass fragments to ensure safe and reliable operation. Available in various colors for your choice.

#### **Standard Features & Specifications**

- Operating voltage: 12~24 VDC
- Plastic glass operating element
- Contact resistance: 100mΩ
- Contact rating: 5A 125/250 VAC (for CP-31 series)  
1A/125VAC (for CP-34 series)
- Test key included
- Available in various colors (Green/Yellow/White/Red/Blue)

#### **CP-34GPBZ-LB Special Features**

- 12 or 24 VDC input terminal
- Built-in 80dB buzzer
- Blue/Red & Blue/Green backlight illuminations

#### **Patents, Approvals, and Listings**

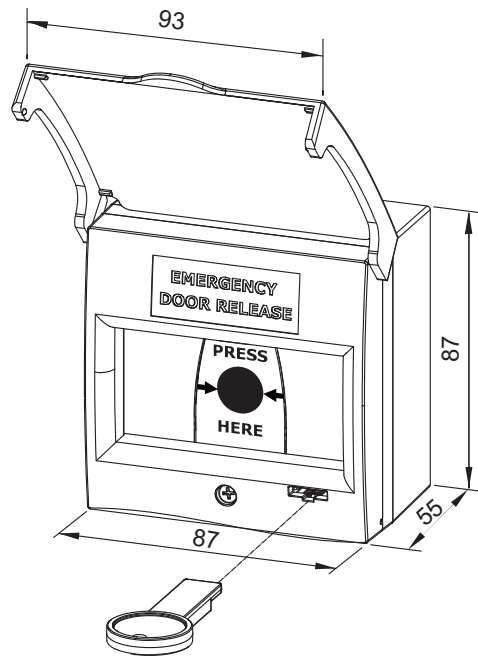
- CE: 332113

## CP-31/34 Series Call Points

Models	Contact	Breakable Plastic Glass	Built-in Buzzer	12/24 VDC Input Terminal	Blue/Red & Blue/Green Backlight	Case Colors
CP-31GP CP-31GP-UC	Double pole	●	—	—	—	Green, Red, Yellow, White, Blue
CP-34GP CP-34GP-UC	Quadruple pole	●	—	—	—	Green, Red, Yellow, White
CP-34GPBZ-LB CP-34GPBZ-LB-UC	Triple pole	●	●	●	●	Green, Red, Yellow, White

\* Models with UC suffix in the model number include a clear plastic cover.

## Dimensions



All dimensions in mm

## Accessories



**CP-31-PL**

Plastic Glass Element  
4 pcs in a pack



**CP-31-UC**

Clear Plastic Cover



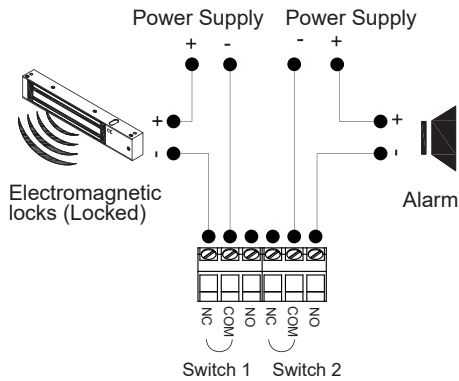
**P-PL-CP-31-K**

Test Key

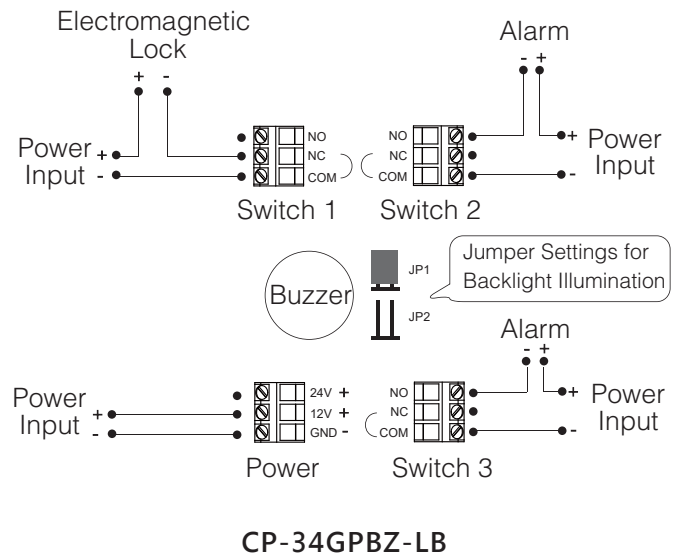
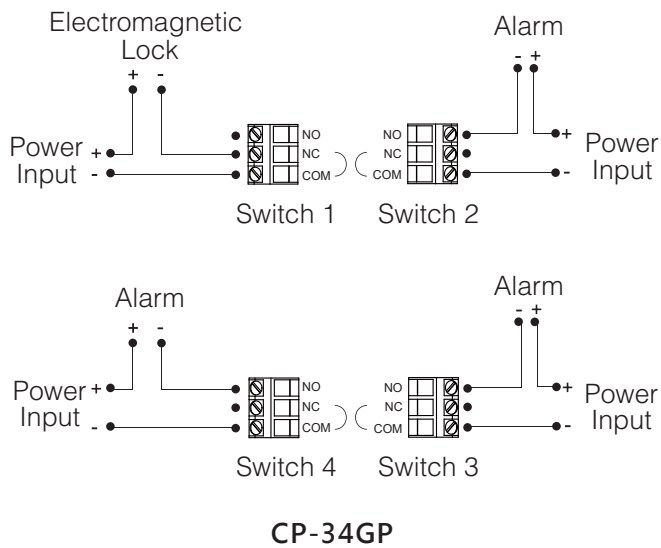
## Wiring for CP-31/34 Series Call Points

The CP-31/34 series uses terminal block connectors and wiring to the relevant terminal blocks provides normally open or normally closed operation. When the plastic element is broken, the internal switches will change from NC to NO operation, triggering the connected devices.

### CP-31 Series Wiring Diagram



### CP-34 Series Wiring Diagram



## Blue/Green/Red Backlight Illumination (For CP-34GPBZ-LB)

The CP-34GPBZ-LB features backlight illumination that changes from blue to red or green after the plastic glass element is broken.



### Warranty

The product is warranted against defects in material and workmanship while used in normal service for a period of 1 year from the date of sale to the original client. The GEM policy is one of continual development and improvement; therefore GEM reserves the right to change specifications without notice.