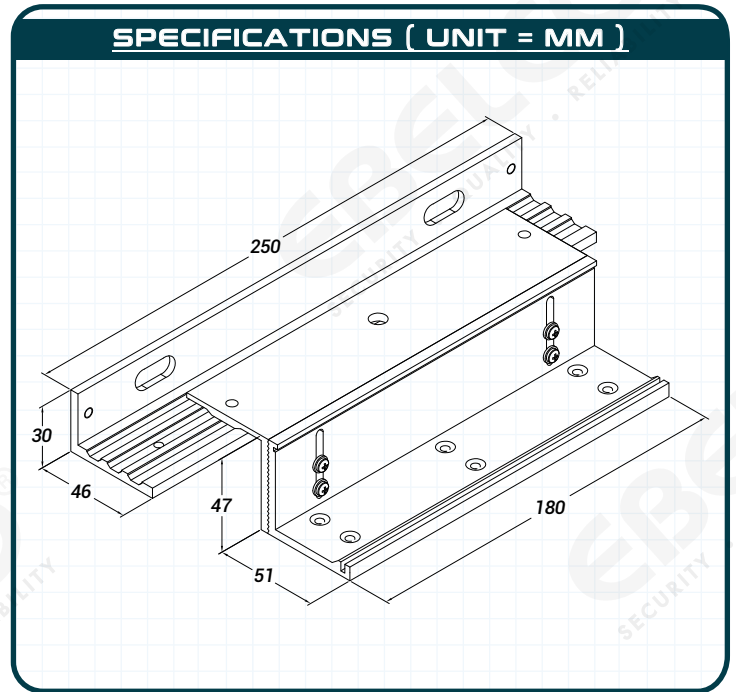
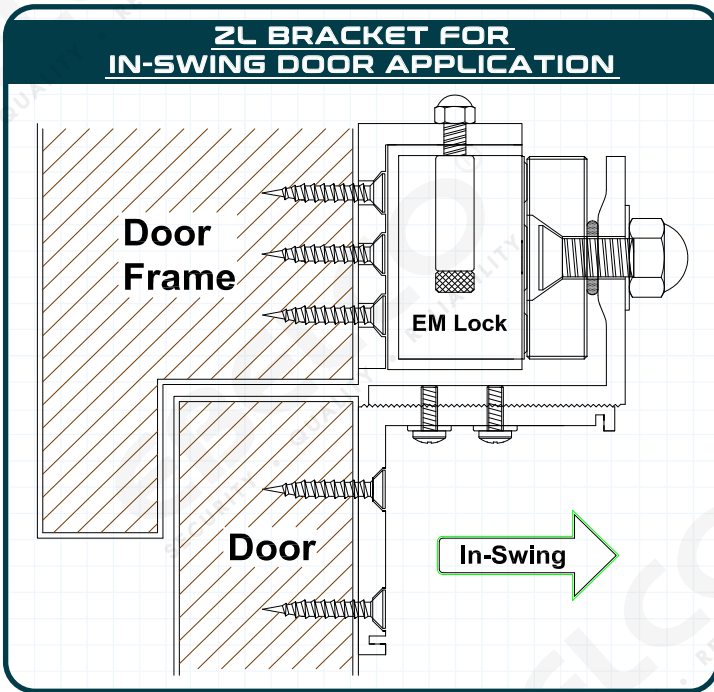


[ZL-600]

[OPTIONAL BRACKET]

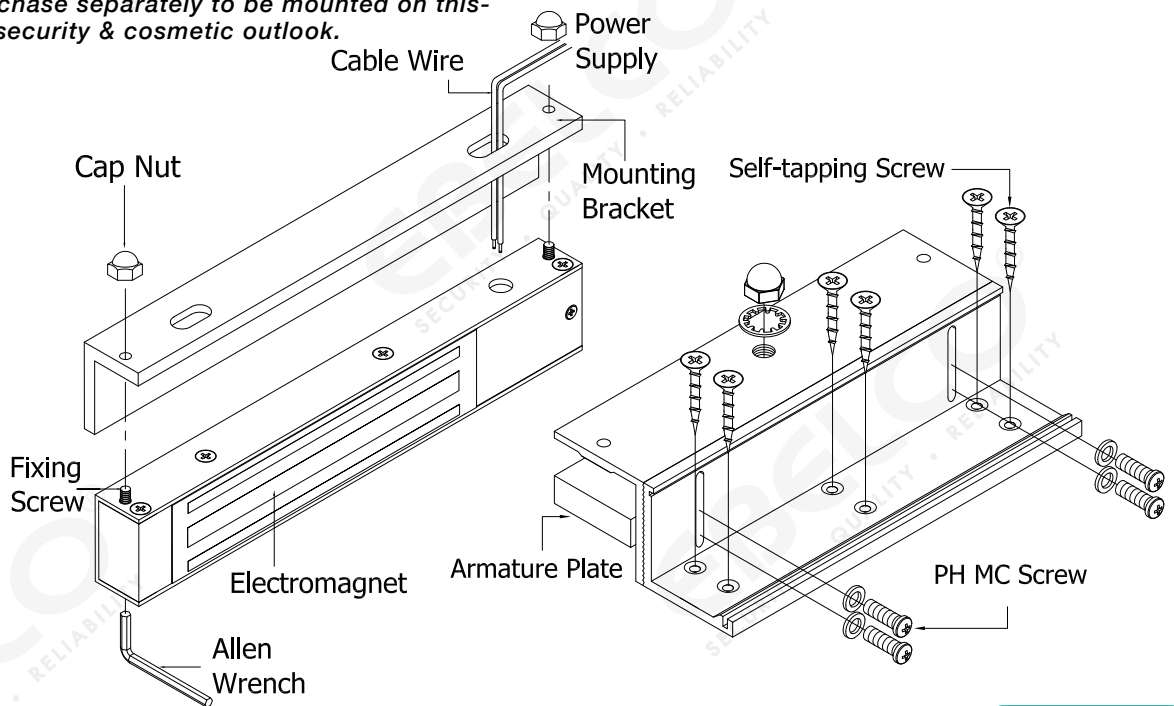
[IN-SWING DOOR APPLICATION]



INSTALLATION METHOD

Notes

- + Applicable for model EM Lock 600 & 600D Series include -RVS Series.
- + Optional Cover can be purchase separately to be mounted on this-ZL-600 Bracket for better security & cosmetic outlook.



DISCLAIMER : EISB reserve the right to change with any modifications or features or price without forewarning. All the information and specifications stated in this document are current at the time of publication.

SECURITY . QUALITY . RELIABILITY

