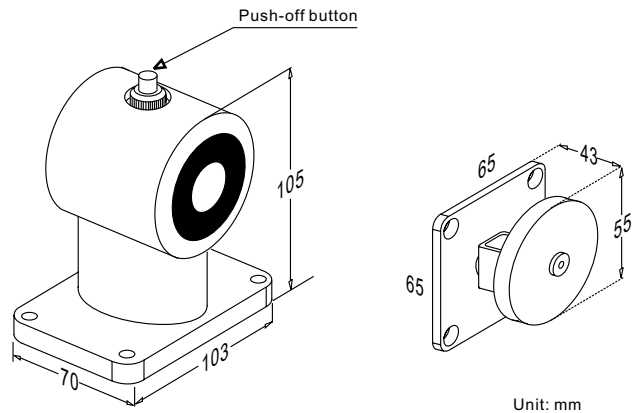


GD-900F (Floor Mount)



Input Voltage: 12Vdc/ac (24V available by special order)
 Current Draw: 125mA@12Vdc
 60mA@24Vdc
 Cutout Switch
 Holding Force: 100 lbs
 Finish: Black Powder Coated

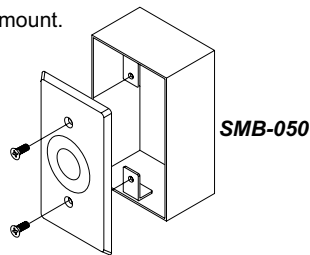


GD-900W

Wall Flush Mount (ANSI Size)

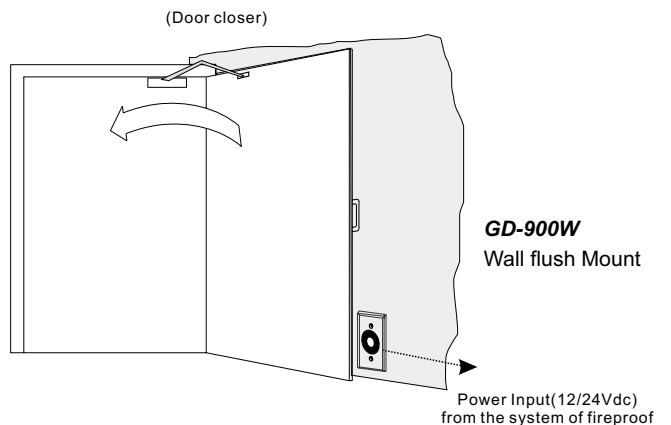
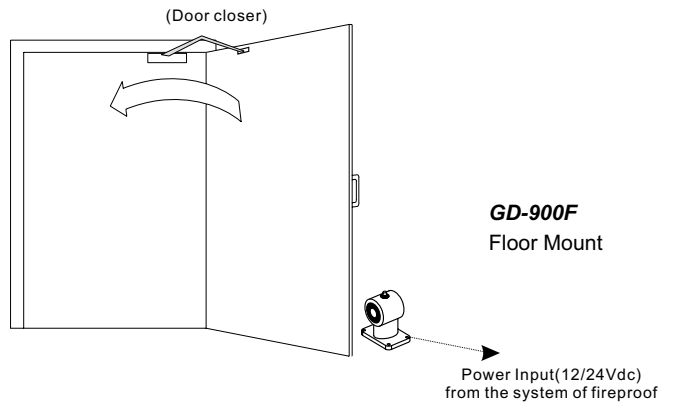
Input Voltage: 12Vdc/ac (24V available by special order)
 Current Draw: 125mA@12Vdc
 60mA@24Vdc

Holding Force: 100 lbs
 Housing: Stainless
 Optional: Stainless box for surface mount.



With SMB-050 housing (Optional) for surface mount installation.

Application :



Specifications:

The GD-900 series door holder is a fail-safe unit energized by a power supply installed on large-scale building, between fire escape doors. It releases the armature plate allowing the door closer to close the door when the fire prevention system detects a fire alarm or emergency. The floor mount are constructed with a PUSH OFF button on magnet for instant release, the door can be opened or closed manually at any time. Also available in wall flush mount installation and optional stainless steel box for surface mount model.

Warranty:

GEM access control related accessories are warranted against defects in material and workmanship while used in normal service for a period of 1 year from the date of sale to the original customer.

Disclaimer:

The information and specifications printed in this manual are current at the time of publication. The GEM policy is one of continual development and improvement; therefore GEM reserves the right to change specifications without notice.

GIANNI INDUSTRIES, INC.

No.306-1, Hsin Shu Road, Hsin Chuang, Taipei, Taiwan 242
 TEL: 886-2-2206 9929 FAX: 886-2-2204 6632
 E-Mail: info@gianni.com.tw
 Website: www.gianni.com.tw

Copyright all rights reserved
 DM-CA-2004-GD-900 Ver. A Publish:2005.12.22



The products are manufactured under an ISO 9001 Certified Quality Management Program environment back its product quality, performance and commitment to customer satisfaction.